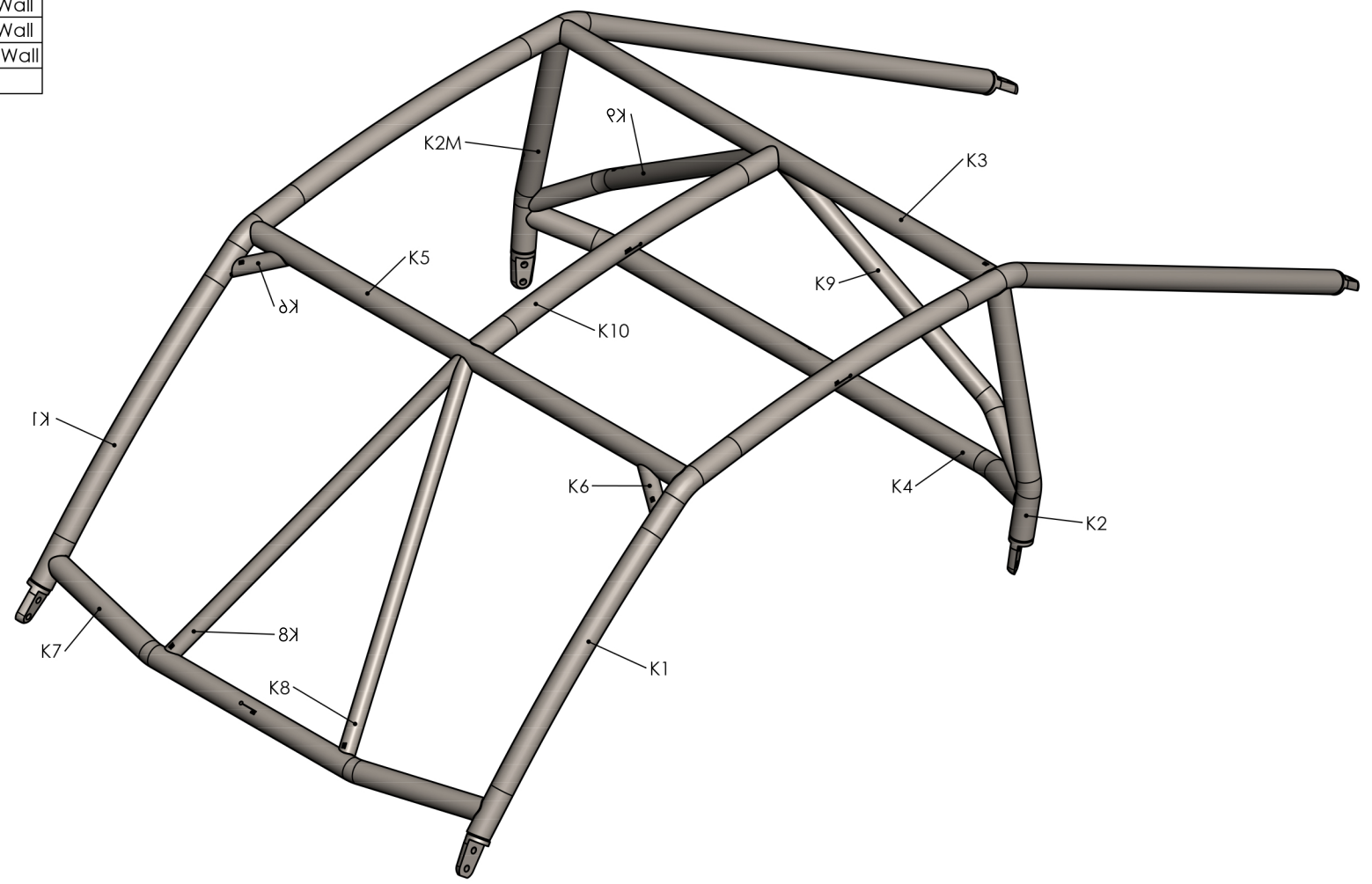


| 2SKAWA-SS Parts ID |      |      |                    |
|--------------------|------|------|--------------------|
| PART NUMBER        | Etch | QTY. | Tube Size          |
| 2SKAWA-SS 01       | K1   | 1    | 1.75Ø x 0.095 Wall |
| 2SKAWA-SS 01M      | ΓΧ   | 1    | 1.75Ø x 0.095 Wall |
| 2SKAWA-SS 02       | K2   | 1    | 1.75Ø x 0.095 Wall |
| 2SKAWA-SS 02M      | K2M  | 1    | 1.75Ø x 0.095 Wall |
| 2SKAWA-SS 03       | K3   | 1    | 1.75Ø x 0.095 Wall |
| 2SKAWA-SS 04       | K4   | 1    | 1.75Ø x 0.095 Wall |
| 2SKAWA-SS 05       | K5   | 1    | 1.75Ø x 0.095 Wall |
| 2SKAWA-SS 06       | K6   | 1    | 1.25Ø x 0.095 Wall |
| 2SKAWA-SS 06M      | δΧ   | 1    | 1.25Ø x 0.095 Wall |
| 2SKAWA-SS 07       | K7   | 1    | 1.75Ø x 0.095 Wall |
| 2SKAWA-SS 08       | K8   | 1    | 1.25Ø x 0.095 Wall |
| 2SKAWA-SS 08M      | 8Χ   | 1    | 1.25Ø x 0.095 Wall |
| 2SKAWA-SS 09       | K9   | 1    | 1.5Ø x 0.095 Wall  |
| 2SKAWA-SS 09M      | ϑΧ   | 1    | 1.5Ø x 0.095 Wall  |
| 2SKAWA-SS 10       | K10  | 1    | 1.75Ø x 0.095 Wall |
| KAWA-A             |      | 6    |                    |



F  
E  
D  
C  
B  
A