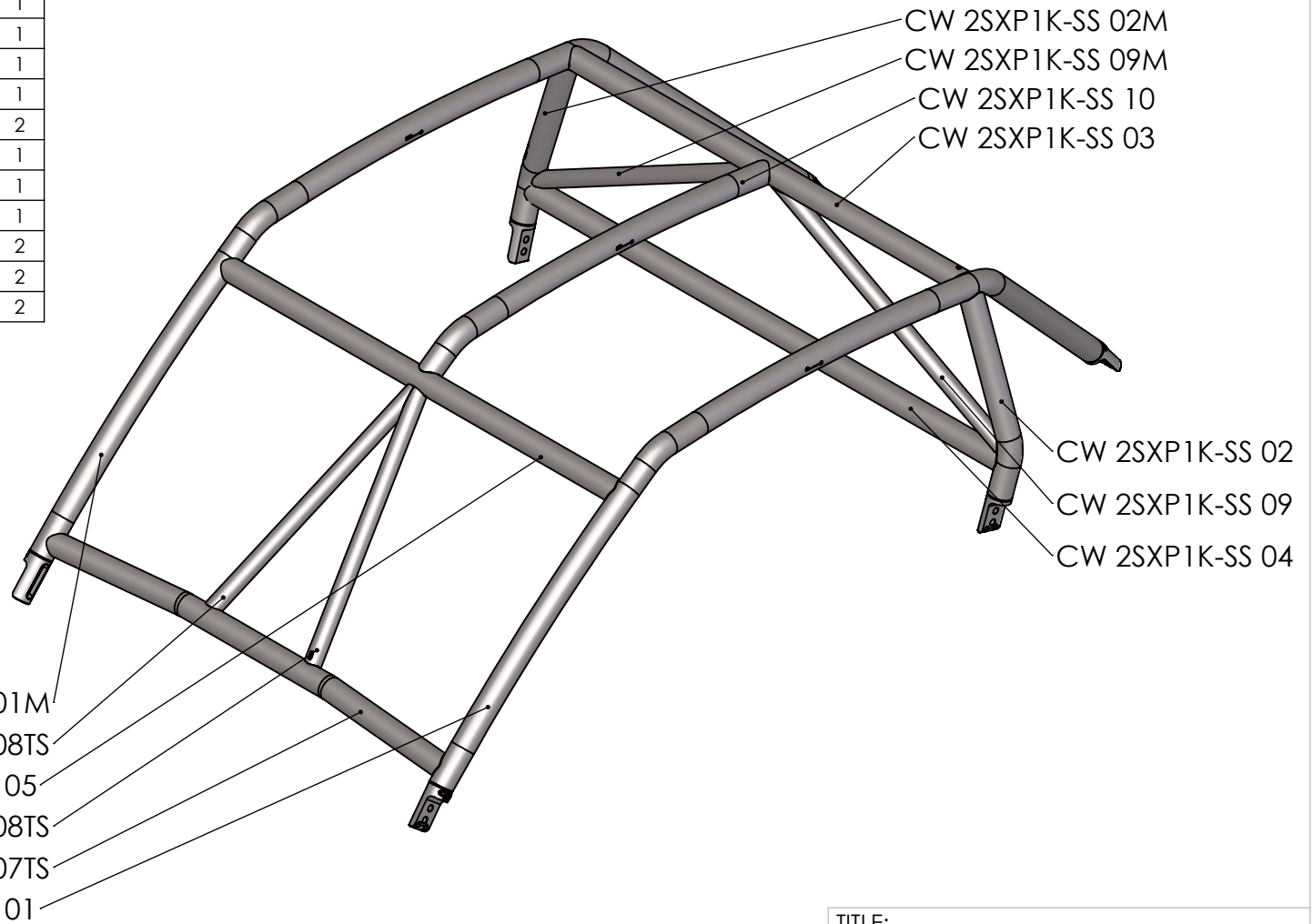


PART NUMBER	DESCRIPTION	QTY.
CW 2SXP1K-SS 01	1.750 X .095 Wall	1
CW 2SXP1K-SS 01M	1.750 X .095 Wall	1
CW 2SXP1K-SS 02	1.750 X .095 Wall	1
CW 2SXP1K-SS 02M	1.750 X .095 Wall	1
CW 2SXP1K-SS 03	1.750 X .095 Wall	1
CW 2SXP1K-SS 04	1.750 X .095 Wall	1
CW 2SXP1K-SS 05	1.750 X .095 Wall	1
CW 2SXP1K-SS 07TS	1.750 X .095 Wall	1
CW 2SXP1K-SS 08TS	1.250 X .095 Wall	2
CW 2SXP1K-SS 09	1.250 X .095 Wall	1
CW 2SXP1K-SS 09M	1.250 X .095 Wall	1
CW 2SXP1K-SS 10	1.750 X .095 Wall	1
CW XP1K-A	XP1K Billet A-Pillar Mount	2
CW XP1K-B	XP1K Billet B-Pillar Mount	2
CW XP1K-C	XP1K Billet C-Pillar Mount	2



TITLE:

DIMENSIONS ARE IN INCHES
 TOLERANCES:
 FRACTIONAL ± 1/16
 ANGULAR: BEND ± .5 DEG
 TWO PLACE DECIMAL ±.01
 THREE PLACE DECIMAL ±.005

THE INFORMATION CONTAINED IN THIS
 DRAWING IS THE SOLE PROPERTY OF
 CAGEXRX LLC. ANY REPRODUCTION
 IN PART OR AS A WHOLE WITHOUT THE
 WRITTEN PERMISSION OF CAGEXRX
 LLC IS PROHIBITED.

MATERIAL	FINISH
THICKNESS	
DO NOT SCALE DRAWING	

SIZE A	PART. NO. CW 2SXPTS-SS	REV C
SCALE: 1:12	WEIGHT: 69	SHEET 1 OF 2